



CHINA INTERNATIONAL CO.  
SHENZHEN FURUIER PHOTOELECTRIC CO., LTD.

---

## SPECIFICATION FOR APPROVAL

CUSTOMER :

ARTICLE : 10mm Round white diffused Yellow LED

PART NO : FLR-100W03-SY7

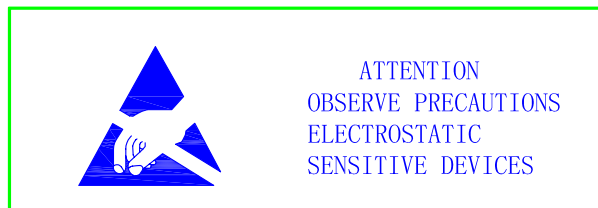
DATE : 2013-03-21

CUSTOMER MODEL :

RoHS PRODUCT

## Authorized Signature

\_\_\_\_\_  
\_\_\_\_\_



**∅Absolute Maximum Rating**

Item	Symbol	Absolute Maximum Rating	Unit
Forward Current	IF	20	mA
Peak Forward Current	IFP	80	mA
Reverse Voltage	VR	5	V
Power Dissipation	PD	60	mW
Operation Temperature	Topr	-35~+80	℃
Storage Temperature	Tstg	-40~+80	℃
Lead Soldering Temperature	Tsol	Max. 260° for 3sec Max.	

\*IFP Conditions:Pulse Width≤10msec duty≤1/10

\*Tsol Conditions:4mm from the base of the epoxy bulb

**∅TypicalOptical/ElectricalCharacteristics**

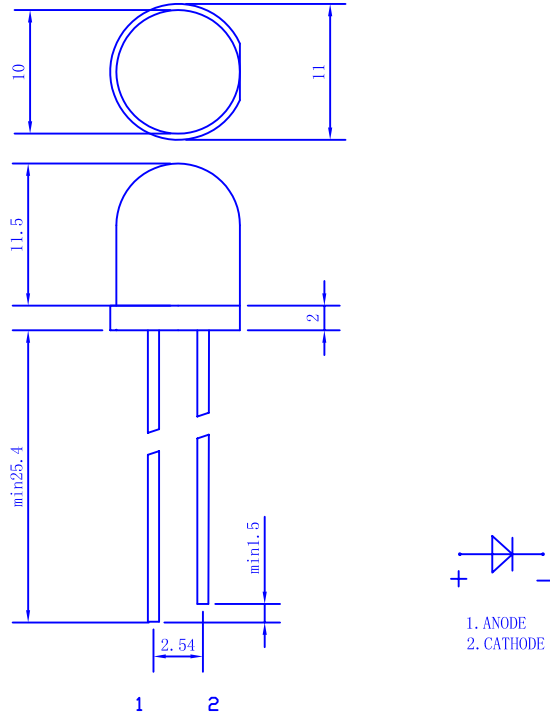
Item	Symbol	Condition	Min.	Typ.	Max.	Unit
Forward Voltage	VF	IF=20mA	--	2.0	2.4	V
Reverse Current	IF	VR=5V	--	--	10	uA
50% Power Angle	$2\theta_{1/2}$	IF=20mA	--	50	--	deg
Luminous Intensity	IV	IF=20mA	800	1000	--	mcd
Peak Wavelength	$\lambda_p$	IF=20mA	587	590	592	nm
Recommend Forward Current	IF(rec)	--	--	10~20	--	mA

**Notes:**

1. Absolute maximum ratings Ta=25° C .
2. Tolerance of measurement of forward voltage±0.1V.
3. Tolerance of measurement of peak Wavelength±2.0nm.
4. Tolerance of measurement of luminous intensity±15%.



ØPackage Dimensions And Materials



□ 0.5 SQUARE\*2

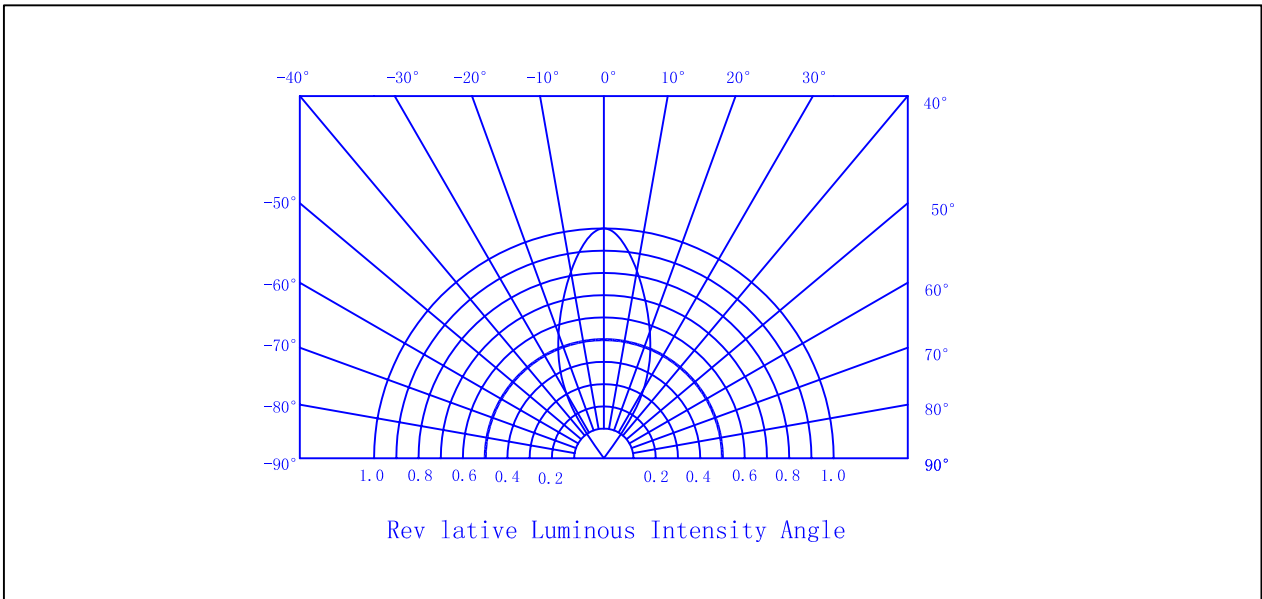
Chip		Lens Color
Dice Material	Emitting Color	
AlGaInP	Yellow	white diffused

Notes:

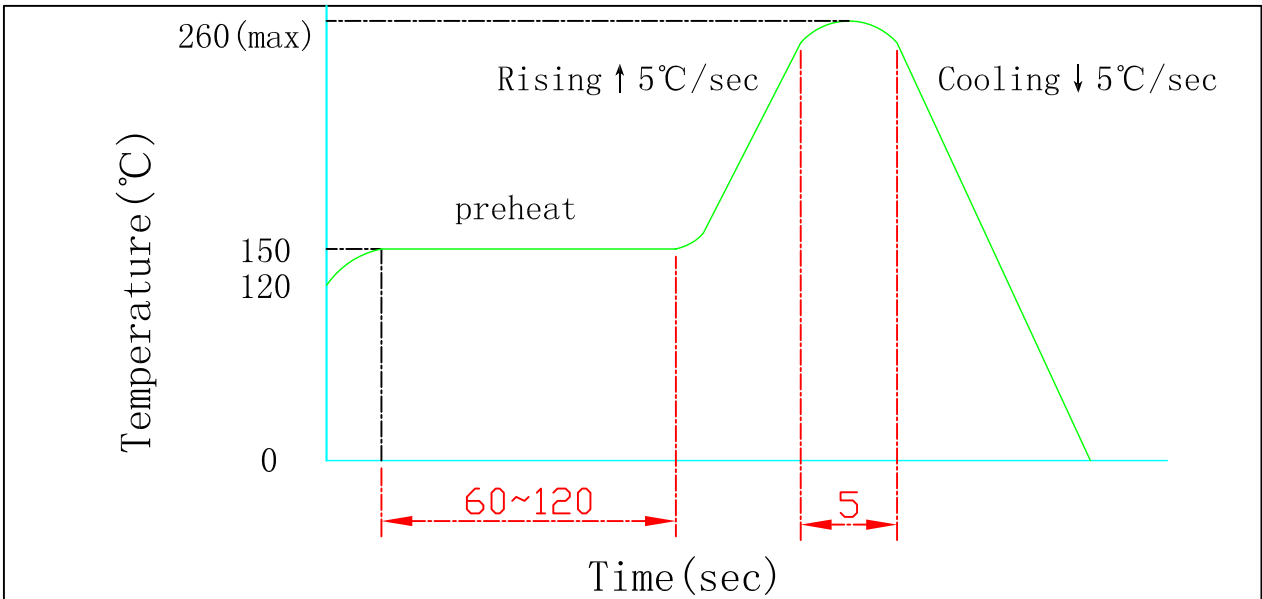
- 1.All dimension units are millimeters
- 2.All dimension tolerance is  $\pm 0.2$ mm unless otherwise noted
- 3.An epoxy meniscus may extend about 1.5mm down the leads
- 4.Burr around bottom of epoxy may be 0.5mm max



∅ Spatial Distribution



∅ Reflow Temp/Time



∅ Soldering iron

Basic spec is  $\leq$  5sec when 260°C. If temperature is higher, time should be shorter (+10°C-1sec) Power dissipation of iron should be smaller than 15W, and temperatures should be controllable. surface temperature of the device should be under 230°C

-35°C ~ +80°C

Characteristic Curves 25°C  
Free Air Temperature Unless Otherwise Specified