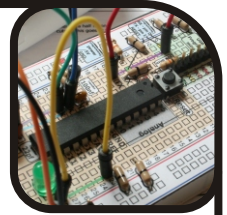
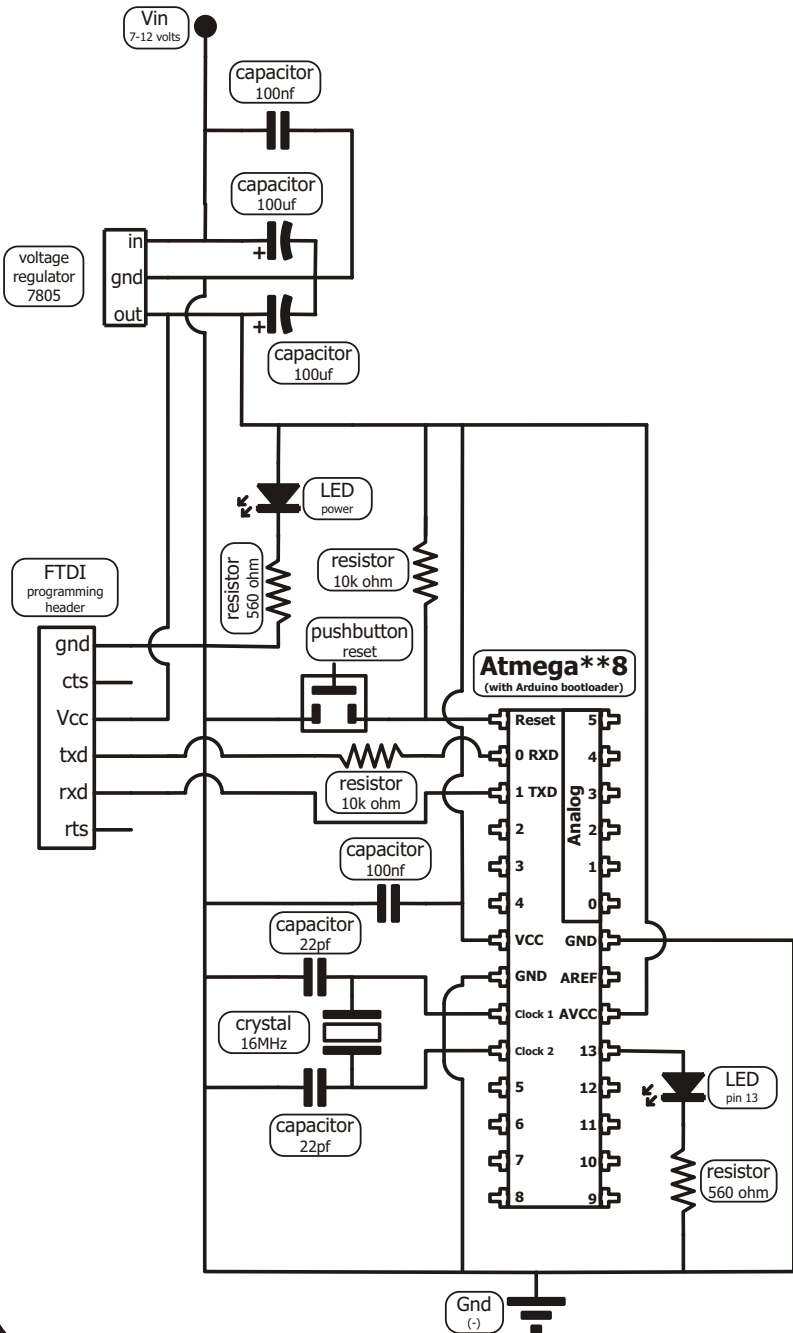


ATMega & Arduino Compatible (Reference Sheet)



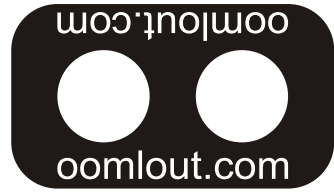
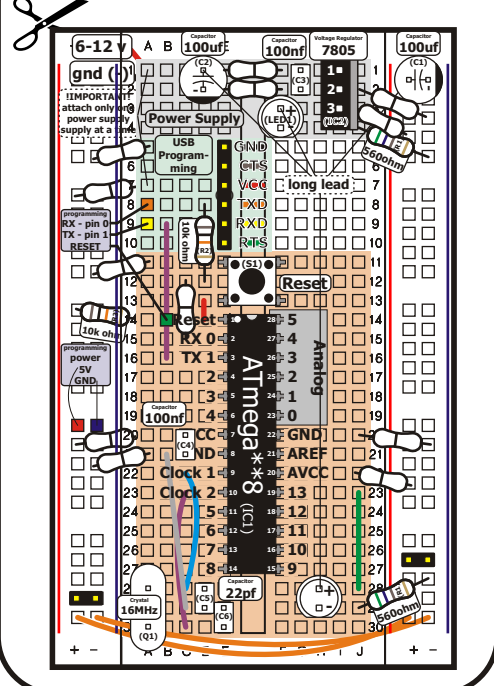
Arduino Compatible Schematic



Pinout

ATMega Defined Pins	Arduino Defined Pins
(RESET) PC6	Reset
(RXD) PD0	0
(TXD) PD1	1
(INT0) PD2	2
(INT1) PD3	3
(T0) PD4	4
VCC	VCC
GND	GND
(XTAL1) PB6	Clock 1
(XTAL2) PB7	Clock 2
(T1) PD5	5
(AIN0) PD6	6
(AIN1) PD7	7
(ICP) PB0	8
PC5 (ADC5)	Analog 5
PC4 (ADC4)	Analog 4
PC3 (ADC3)	Analog 3
PC2 (ADC2)	Analog 2
PC1 (ADC1)	Analog 1
PC0 (ADC0)	Analog 0
GND	GND
AREF	AREF
AVCC	AVCC
PB5 (SCK)	13
PB4 (MISO)	12
PB3 (MOSI)	11
PB2 (SS)	10
PB1 (OC1)	9

Example Breadboard Layout



∴ Instructions: print out, cut out, get making ∴
∴ for more details visit: <http://tinyurl.com/meqj5> ∴